

PICCADILLY

Sure to add a touch of glamour to a sophisticated interior scheme, with its broad squared off wings, and deep sprung seat, the Piccadilly displays soft structure and elegance.

With fluting detail refining the back rest alongside self-piped detail, upholstered in soft neutral tones, and finished with sturdy beech ebony ATW01 legs. A fresh take on a classic favourite.

DIMENSIONS

Size A

Width (W) 65cm

Depth (D) 70cm

Height (H) 72cm

Seat Height (SH) 39cm

FABRIC QUANTITY

Plain 3m

Velvet & Pattern 3.8m

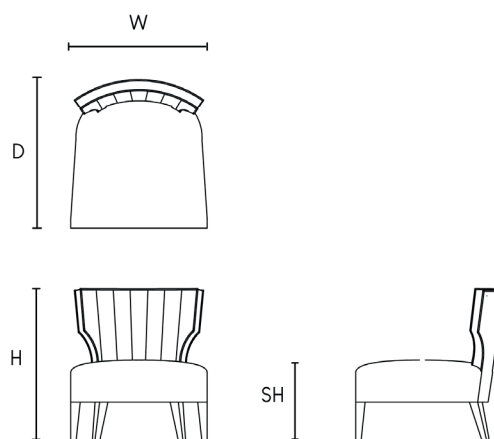
Leather 5sqm

Custom sizes + finishes are available on request.

PRODUCT CODE

OCC-CHAIR-OLIV

© 2022 Ateliers London



ATELIERS LONDON

Bespoke manufacturers of luxury upholstery & cabinetry – Made in London

atelierslondon.com / +44 (0) 208 159 3750 / info@atelierslondon.com