

MILA

A statement in any room setting, Mila is a bold and inviting piece. Fully wrapped in a luscious neutral bouclé. A lounge-style design with a glorious sumptuous deep seat and curved back.

Its daring size and shape, accompanied by self-piped edges and detailing on the backrest, the Mila is enriched with elevated comfort and effortless style.

DIMENSIONS

Size A

Width (W) 89cm

Depth (D) 72cm

Height (H) 75cm

Seat Height (SH) 43cm

FABRIC QUANTITY

Plain 6m

Velvet & Pattern 7.5m

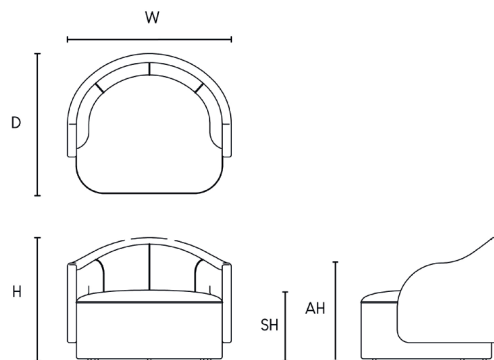
Leather 9.9sqm

Custom sizes + finishes are available on request.

PRODUCT CODE

OCC-CHAIR-MILA

© 2022 Ateliers London



ATELIERS LONDON

Bespoke manufacturers of luxury upholstery & cabinetry – Made in London

atelierslondon.com / +44 (0) 208 159 3750 / info@atelierslondon.com