

MALMO

An ideal choice for ultimate relaxation, the retro chic Malmo features a curved silhouette, accentuated by the contrasting plush royal blue cushion adorning the backrest.

The sophisticated light grey textured fabric is accented by the majestic frame cradling the chair, finished in antique brushed brass.

DIMENSIONS

Size A

Width (W) 80cm

Depth (D) 56cm

Height (H) 70cm

Seat Height (SH) 45cm

FABRIC QUANTITY

Plain 5m

Velvet & Pattern 6.3m

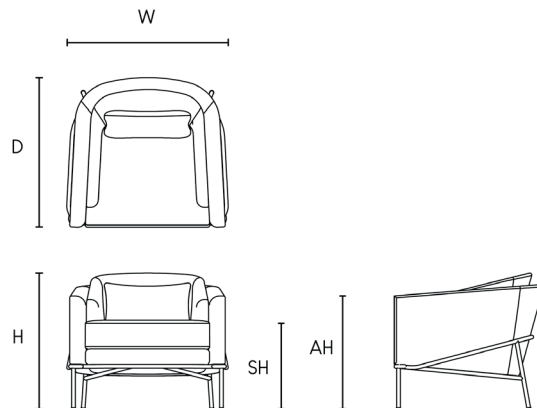
Leather 8.3sqm

Custom sizes + finishes are available on request.

PRODUCT CODE

OCC-CHAIR-MALM

© 2022 Ateliers London



ATELIERS LONDON

Bespoke manufacturers of luxury upholstery & cabinetry – Made in London

atelierslondon.com / +44 (0) 208 159 3750 / info@atelierslondon.com