

# HAINES

A classic and traditional shaped, large wingback, the Haines features a pleated diamond shaped inside back, with deep button detail.

Made with a modern contemporary touch due to the juxtaposing beech ebony ATW01 base with elegant tapered legs. The fun pop of contrasting colour on the button and piping detail, captivate the originality of the Haines while showcasing its unique and modern combination.

## DIMENSIONS

Size A

Width (W) 85cm

Depth (D) 65cm

Height (H) 110cm

Seat Height (SH) 45cm

## FABRIC QUANTITY

Plain 7m

Velvet & Pattern 8.8m

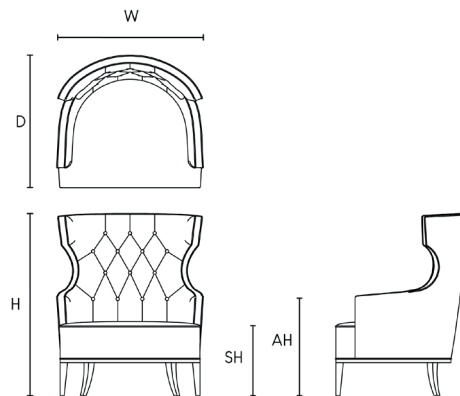
Leather 11.6sqm

Custom sizes + finishes are available on request.

## PRODUCT CODE

OCC-CHAIR-HAIN

© 2022 Ateliers London



# ATELIERS LONDON

Bespoke manufacturers of luxury upholstery & cabinetry – Made in London

[atelierslondon.com](http://atelierslondon.com) / +44 (0) 208 159 3750 / [info@atelierslondon.com](mailto:info@atelierslondon.com)