

# GILES

A unique and classic design with a modern twist, the beautifully concaving Giles ottoman is defined by its exquisitely charming hand studded detail surrounding the top in polished brass. Perfectly upholstered in a plush teal velvet, with an ever so hidden inset plinth finished in beech ebony ATW01. The simplistic hourglass silhouette, add an element of versatility and gracefulness to any interior.

The Giles's available in various sizes.

## DIMENSIONS

Size A

Width (W) 45cm

Depth (D) 45cm

Height (H) 45cm

## FABRIC QUANTITY

Plain 1.5m

Velvet & Pattern 1.9m

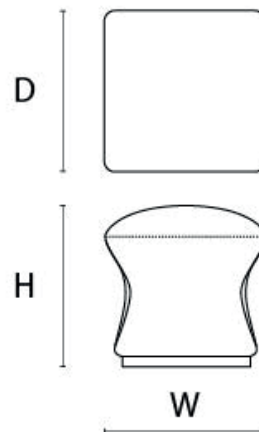
Leather 2.5sqm

Custom sizes + finishes are available on request.

## PRODUCT CODE

OTTO-GILE-A

© 2022 Ateliers London



# ATELIERS LONDON

Bespoke manufacturers of luxury upholstery & cabinetry – Made in London

[atelierslondon.com](http://atelierslondon.com) / +44 (0) 208 159 3750 / [info@atelierslondon.com](mailto:info@atelierslondon.com)

## DIMENSIONS

Size B

Width (W) 80cm

Depth (D) 45cm

Height (H) 45cm

### FABRIC QUANTITY

Plain 2m

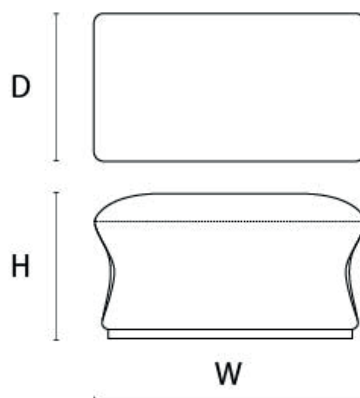
Velvet & Pattern 2.5m

Leather 3.3sqm

Custom sizes + finishes are available on request.

### PRODUCT CODE

OTTO-GILE-B



## DIMENSIONS

Size C

Width (W) 100cm

Depth (D) 60cm

Height (H) 45cm

### FABRIC QUANTITY

Plain 2.5m

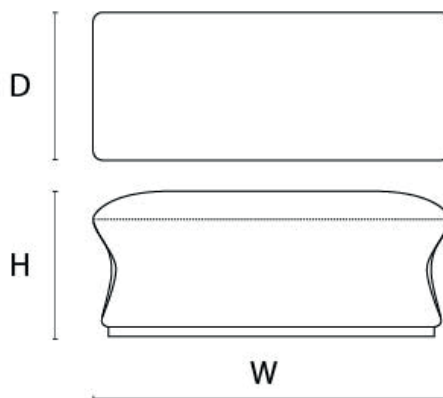
Velvet & Pattern 3.1m

Leather 4.1sqm

Custom sizes + finishes are available on request.

### PRODUCT CODE

OTTO-GILE-C



# ATELIERS LONDON

Bespoke manufacturers of luxury upholstery & cabinetry – Made in London

[atelierslondon.com](http://atelierslondon.com) / +44 (0) 208 159 3750 / [info@atelierslondon.com](mailto:info@atelierslondon.com)

## DIMENSIONS

Size D

Width (W) 110cm

Depth (D) 45cm

Height (H) 45cm

### FABRIC QUANTITY

Plain 6m

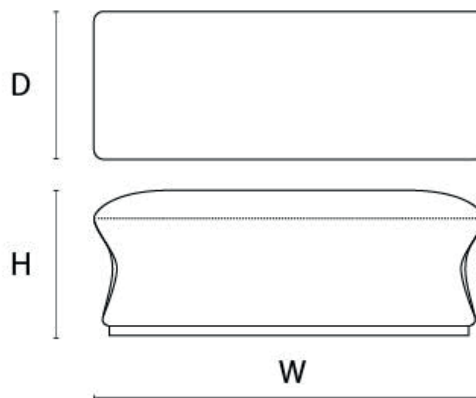
Velvet & Pattern 7.5m

Leather 9.9sqm

Custom sizes + finishes are available on request.

### PRODUCT CODE

OTTO-GILE-D



## DIMENSIONS

Size E

Width (W) 96cm

Depth (D) 60cm

Height (H) 45cm

### FABRIC QUANTITY

Plain 2.5m

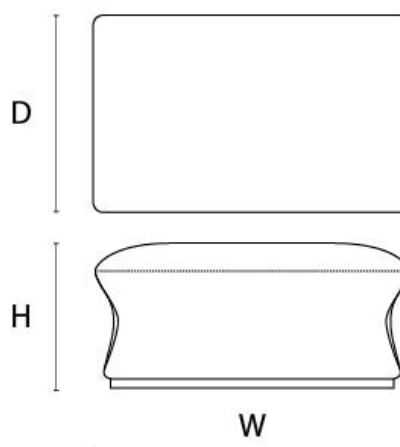
Velvet & Pattern 3.1m

Leather 4.1sqm

Custom sizes + finishes are available on request.

### PRODUCT CODE

OTTO-GILE-E



# ATELIERS LONDON

Bespoke manufacturers of luxury upholstery & cabinetry – Made in London

[atelierslondon.com](http://atelierslondon.com) / +44 (0) 208 159 3750 / [info@atelierslondon.com](mailto:info@atelierslondon.com)

## DIMENSIONS

Size F

Width (W) 120cm

Depth (D) 75cm

Height (H) 45cm

## FABRIC QUANTITY

Plain 3.5m

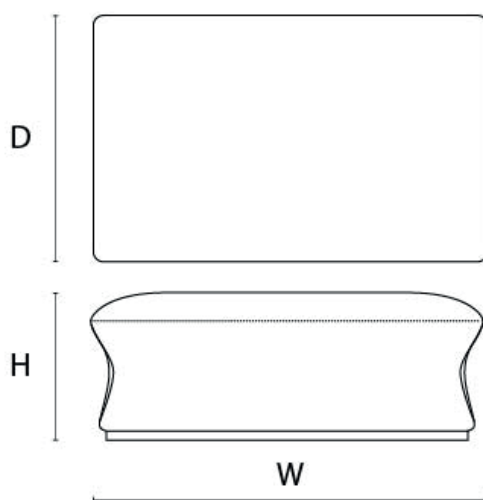
Velvet & Pattern 4.4m

Leather 5.8sqm

Custom sizes + finishes are available on request.

## PRODUCT CODE

OTTO-GILE-F



# ATELIERS LONDON

Bespoke manufacturers of luxury upholstery & cabinetry – Made in London

[atelierslondon.com](http://atelierslondon.com) / +44 (0) 208 159 3750 / [info@atelierslondon.com](mailto:info@atelierslondon.com)