

FAIRMONT

An elegant barstool with a high curved back and round seat. The Fairmont is sumptuously padded for a uniquely comfortable dining experience. Neatly upholstered in a soft taupe toned leather with self piping detail. Highlighting this stool is its beech ebony ATW01 tapered legs and antique brushed brass polished footrest.

The Fairmont is available in two height options.

DIMENSIONS

Size A

Width (W) 45cm
Depth (D) 45cm
Height (H) 100cm
Seat Height (SH) 65cm

FABRIC QUANTITY

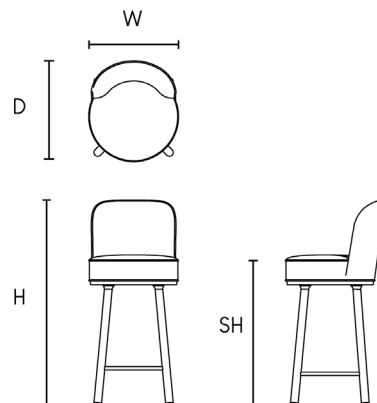
Plain 1.5m
Velvet & Pattern 1.9m
Leather 2.5sqm

Custom sizes + finishes are available on request.

PRODUCT CODE

BAR-STOOL-FAIR-A

© 2022 Ateliers London



ATELIERS LONDON

Bespoke manufacturers of luxury upholstery & cabinetry – Made in London

atelierslondon.com / +44 (0) 208 159 3750 / info@atelierslondon.com

DIMENSIONS

Size B

Width (W) 45cm

Depth (D) 45cm

Height (H) 110cm

Seat Height (SH) 75cm

FABRIC QUANTITY

Plain 1.5m

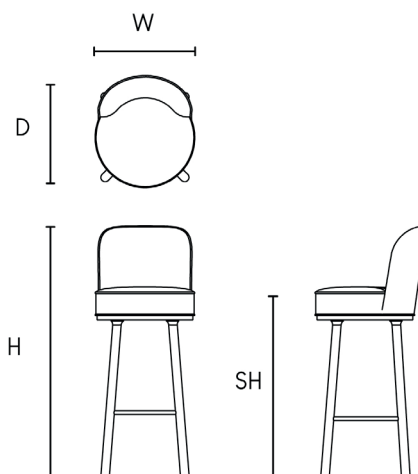
Velvet & Pattern 1.9m

Leather 2.5sqm

Custom sizes + finishes are available on request.

PRODUCT CODE

BAR-STOOL-FAIR-B



ATELIERS LONDON

Bespoke manufacturers of luxury upholstery & cabinetry – Made in London

atelierslondon.com / +44 (0) 208 159 3750 / info@atelierslondon.com