

# COLEHILL

With a traditional twist, and sweeping arms, the Colehill is refined by its structural curves, and deep seat. Gracefully wrapped in a plush electric blue velvet with self pipi detailing, accentuating its flowing classic aesthetic.

Sitting elegantly on beech wenge ATW06 wedge-shaped legs.

## DIMENSIONS

Size A

Width (W) 75cm

Depth (D) 85cm

Height (H) 85cm

Seat Height (SH) 44cm

Arm Height (AH) 58cm

## FABRIC QUANTITY

Plain 5m

Velvet & Pattern 6.3m

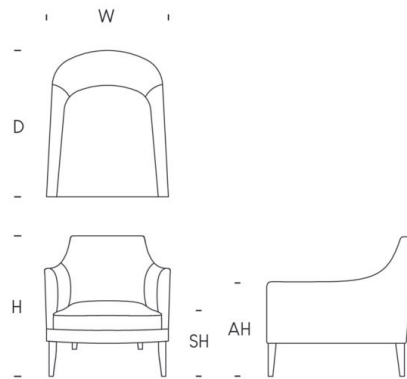
Leather 8.3sqm

Custom sizes + finishes are available on request.

## PRODUCT CODE

OCC-CHAIR-COLE

© 2022 Ateliers London



# ATELIERS LONDON

Bespoke manufacturers of luxury upholstery & cabinetry – Made in London

[atelierslondon.com](http://atelierslondon.com) / +44 (0) 208 159 3750 / [info@atelierslondon.com](mailto:info@atelierslondon.com)