

CAXTON

Comfortable and supportive, the Caxton is Inspired by classic mid-century styles, gracefully wrapped in a soft muted berry toned mohair with contrasting magenta patterned piping defining its soft curved lines.

The low tapered beech ebony ATW01 legs, complement its alluring poise.

DIMENSIONS

Size A

Width (W) 80cm

Depth (D) 85cm

Height (H) 102cm

Seat Height (SH) 47cm

Arm Height (AH) 66cm

FABRIC QUANTITY

Plain 6.5m

Velvet & Pattern 8.1m

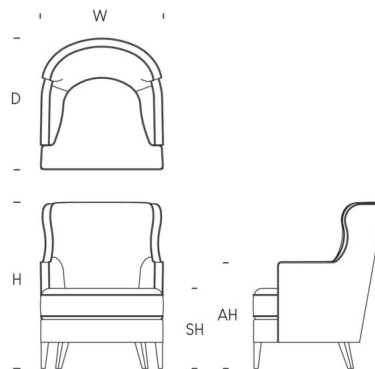
Leather 10.7sqm

Custom sizes + finishes are available on request.

PRODUCT CODE

OCC-CHAIR-CAX

© 2022 Ateliers London



ATELIERS LONDON

Bespoke manufacturers of luxury upholstery & cabinetry – Made in London

atelierslondon.com / +44 (0) 208 159 3750 / info@atelierslondon.com