

# CARLTON

Inspired by vintage royal décor, fused with modern influence, wrapped in contrasting fabrics, its rich emerald velvet is perfectly padded forming a versatile geometric shape, then framed by a luxurious neutral toned textured fabric. The Carlton is a magnificent single headboard that takes centre stage in every bedroom.

The Carlton headboard is also available as a Small Double, Double, King, Super King and Emperor.

## DIMENSIONS

Size Single

### Headboard

Width (W) 181cm

Depth (D) 20cm

Height (H) 120cm

## FABRIC QUANTITY

Plain 3.5m

Velvet & Pattern 4.375m

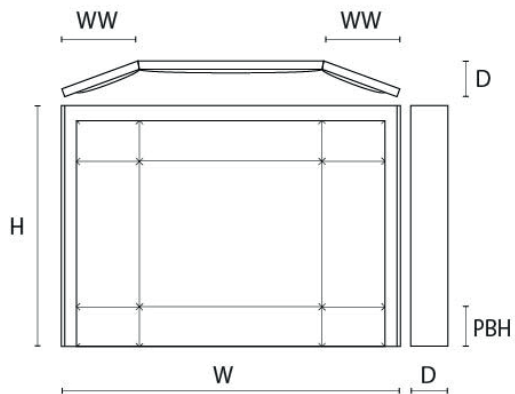
Leather 7.2sqm

Custom sizes + finishes are available on request.

## PRODUCT CODE

HEAD-CARL-SNG

© 2022 Ateliers London



# ATELIERS LONDON

Bespoke manufacturers of luxury upholstery & cabinetry – Made in London

[atelierslondon.com](http://atelierslondon.com) / +44 (0) 208 159 3750 / [info@atelierslondon.com](mailto:info@atelierslondon.com)

## DIMENSIONS

Size Small Double

### Headboard

Width (W) 215cm

Depth (D) 20cm

Height (H) 130cm

### FABRIC QUANTITY

Plain 4.5m

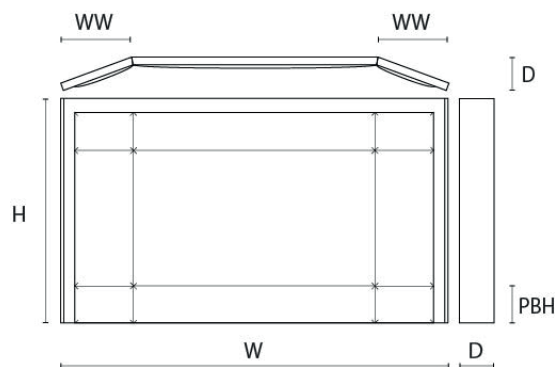
Velvet & Pattern 5.625m

Leather 9.3sqm

Custom sizes + finishes are available on request.

### PRODUCT CODE

HEAD-CARL-SML-DBL



## DIMENSIONS

Size Double

### Headboard

Width (W) 231cm

Depth (D) 20cm

Height (H) 150cm

### FABRIC QUANTITY

Plain 5.5m

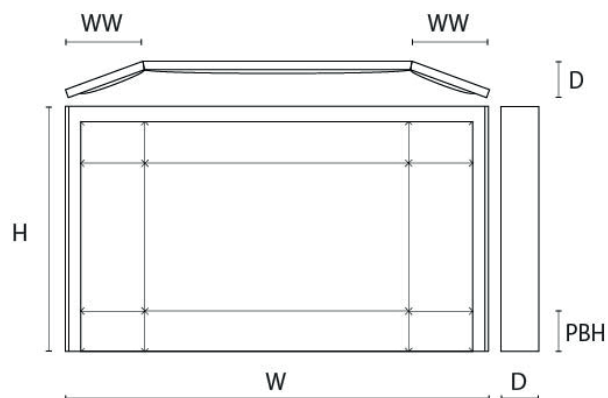
Velvet & Pattern 6.875m

Leather 11.3sqm

Custom sizes + finishes are available on request.

### PRODUCT CODE

HEAD-CARL-DBL



# ATELIERS LONDON

Bespoke manufacturers of luxury upholstery & cabinetry – Made in London

[atelierslondon.com](http://atelierslondon.com) / +44 (0) 208 159 3750 / [info@atelierslondon.com](mailto:info@atelierslondon.com)

## DIMENSIONS

Size King

### Headboard

Width (W) 246cm

Depth (D) 20cm

Height (H) 150cm

### FABRIC QUANTITY

Plain 6.5m

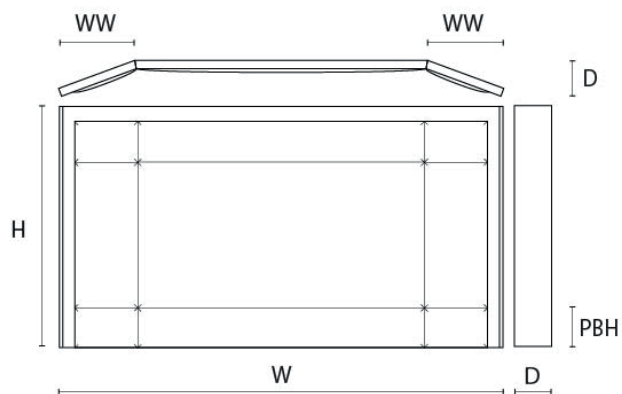
Velvet & Pattern 8.125m

Leather 13.4sqm

Custom sizes + finishes are available on request.

### PRODUCT CODE

HEAD-CARL-KING



## DIMENSIONS

Size Super King

### Headboard

Width (W) 276cm

Depth (D) 20cm

Height (H) 160cm

### FABRIC QUANTITY

Plain 7.5m

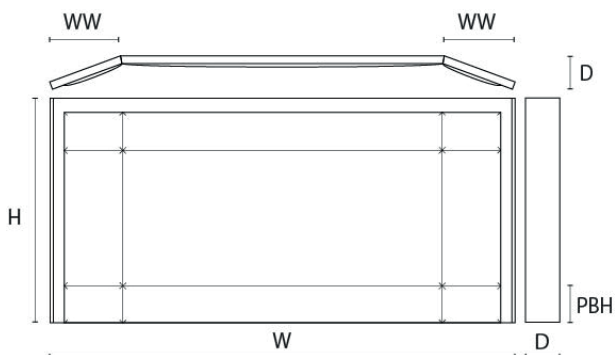
Velvet & Pattern 9.375m

Leather 15.5sqm

Custom sizes + finishes are available on request.

### PRODUCT CODE

HEAD-CARL-SKING



# ATELIERS LONDON

Bespoke manufacturers of luxury upholstery & cabinetry – Made in London

[atelierslondon.com](http://atelierslondon.com) / +44 (0) 208 159 3750 / [info@atelierslondon.com](mailto:info@atelierslondon.com)

## DIMENSIONS

Size Emperor

### Headboard

Width (W) 296cm

Depth (D) 20cm

Height (H) 160cm

### FABRIC QUANTITY

Plain 8.5m

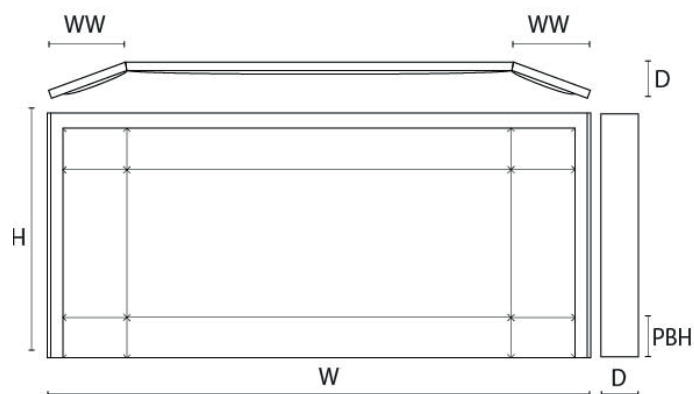
Velvet & Pattern 10.625m

Leather 17.5sqm

Custom sizes + finishes are available on request.

### PRODUCT CODE

HEAD-CARL-EMP



# ATELIERS LONDON

Bespoke manufacturers of luxury upholstery & cabinetry – Made in London

[atelierslondon.com](http://atelierslondon.com) / +44 (0) 208 159 3750 / [info@atelierslondon.com](mailto:info@atelierslondon.com)