

BROOKFIELD

The Brookfield bar stool is where time-honed craftsmanship and luxurious comfort align. This timeless design has been upholstered in soft parchment leather and features elegant stitching details to the backrest. Ensuring the stool looks fantastic at any angle, the rear of the backrest has hand-finished pulled button details while the beech grey ATW02 frame has elegantly tapered legs.

The Brookfield is available in two height options.

DIMENSIONS

Size A

Width (W) 50cm
Depth (D) 52cm
Height (H) 95cm
Seat Height (SH) 65cm

FABRIC QUANTITY

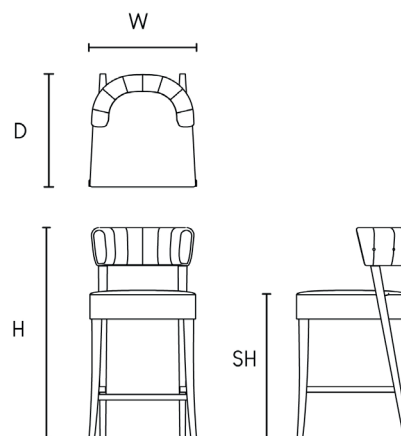
Plain 1.5m
Velvet & Pattern 1.9m
Leather 2.5sqm

Custom sizes + finishes are available on request.

PRODUCT CODE

BAR-STOOL-BR

© 2022 Ateliers London



ATELIERS LONDON

Bespoke manufacturers of luxury upholstery & cabinetry – Made in London

atelierslondon.com / +44 (0) 208 159 3750 / info@atelierslondon.com

DIMENSIONS

Size B

Width (W) 50cm

Depth (D) 52cm

Height (H) 105cm

Seat Height (SH) 75cm

FABRIC QUANTITY

Plain 1.5m

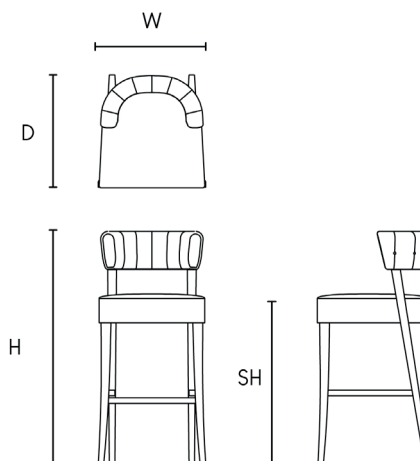
Velvet & Pattern 1.9m

Leather 2.5sqm

Custom sizes + finishes are available on request.

PRODUCT CODE

BAR-STOOL-BROO-B



ATELIERS LONDON

Bespoke manufacturers of luxury upholstery & cabinetry – Made in London

atelierslondon.com / +44 (0) 208 159 3750 / info@atelierslondon.com