

BENNETT

Modern and chic by design, the Bennett Armchair is an elegant piece that can easily be incorporated into any style of decor. The clean lines and cascading curves are stylish and versatile. Wrapped in a grey toned fabric with minimal seaming running throughout. Finished with polished chrome legs that enhance the design.

The Bennett includes an armchair, footstool and various sized sofas. If you require a dimensional modification please speak to a member of our sales team.

DIMENSIONS

Size A

Width (W) 175cm

Depth (D) 95cm

Height (H) 72cm

Seat Height (SH) 40cm

Arm Height (AH) 72cm

FABRIC QUANTITY

Plain 10m

Velvet & Pattern 12.5m

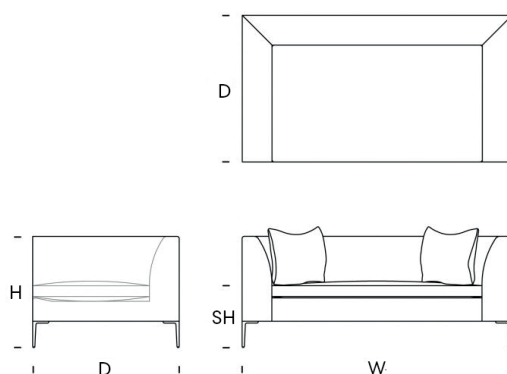
Leather 16.5sqm

Custom sizes + finishes are available on request.

PRODUCT CODE

SOFA-BENN-2.0

© 2022 Ateliers London



ATELIERS LONDON

Bespoke manufacturers of luxury upholstery & cabinetry – Made in London

atelierslondon.com / +44 (0) 208 159 3750 / info@atelierslondon.com

DIMENSIONS

Size B

Width (W) 195cm
Depth (D) 95cm
Height (H) 72cm
Seat Height (SH) 40cm
Arm Height (AH) 72cm

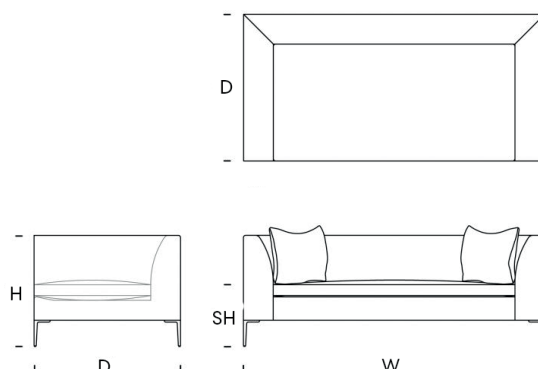
FABRIC QUANTITY

Plain 12m
Velvet & Pattern 15m
Leather 19.8sqm

Custom sizes + finishes are available on request.

PRODUCT CODE

SOFA-BENN-2.5



DIMENSIONS

Size C

Width (W) 230cm
Depth (D) 95cm
Height (H) 72cm
Seat Height (SH) 40cm
Arm Height (AH) 72cm

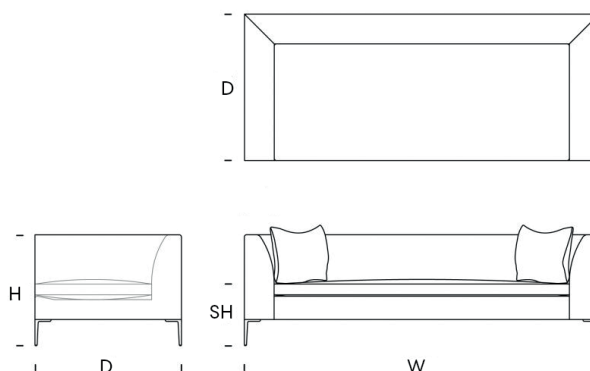
FABRIC QUANTITY

Plain 13m
Velvet & Pattern 16.25m
Leather 21.45sqm

Custom sizes + finishes are available on request.

PRODUCT CODE

SOFA-BENN-3.0



ATELIERS LONDON

Bespoke manufacturers of luxury upholstery & cabinetry – Made in London

atelierslondon.com / +44 (0) 208 159 3750 / info@atelierslondon.com

DIMENSIONS

Size D

Width (W) 245cm

Depth (D) 95cm

Height (H) 72cm

Seat Height (SH) 40cm

Arm Height (AH) 72cm

FABRIC QUANTITY

Plain 16m

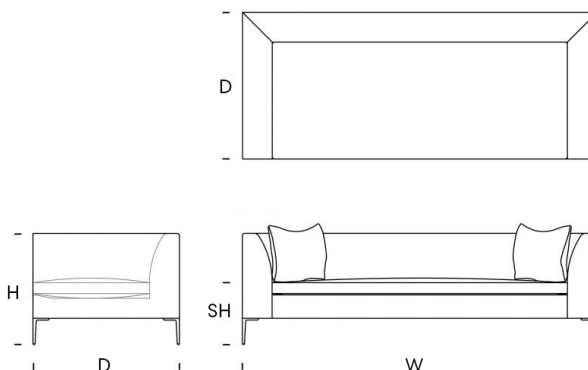
Velvet & Pattern 20m

Leather 26.4sqm

Custom sizes + finishes are available on request.

PRODUCT CODE

SOFA-BENN-3.5



ATELIERS LONDON

Bespoke manufacturers of luxury upholstery & cabinetry – Made in London

atelierslondon.com / +44 (0) 208 159 3750 / info@atelierslondon.com