

BATH

With a simple and modern twist to a classic design. This beautifully proportioned Bath chaise is neatly upholstered in a soft crushed ice velvet, with a loose seat cushion providing sumptuous comfort. The perfect piece for ultimate relaxation and lounging.

The Bath is available in various sizes.

DIMENSIONS

Size A

Width (W) 170cm

Depth (D) 71cm

Height (H) 85cm

Seat Height (SH) 43cm

FABRIC QUANTITY

Plain 6m

Velvet & Pattern 7.5m

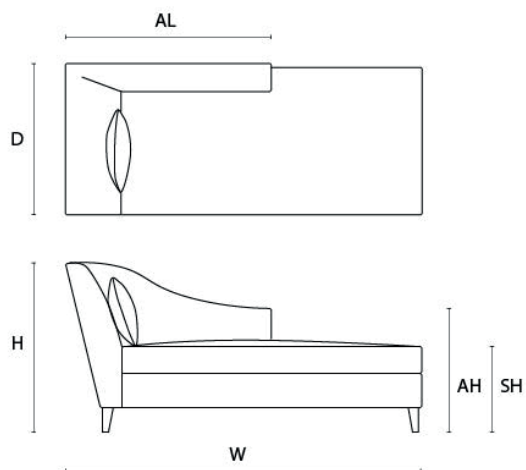
Leather 9.9sqm

Custom sizes + finishes are available on request.

PRODUCT CODE

CHAISE-BATH-A-LH

© 2022 Ateliers London



ATELIERS LONDON

Bespoke manufacturers of luxury upholstery & cabinetry – Made in London

atelierslondon.com / +44 (0) 208 159 3750 / info@atelierslondon.com

DIMENSIONS

Size B

Width (W) 170cm
Depth (D) 71cm
Height (H) 85cm
Seat Height (SH) 43cm

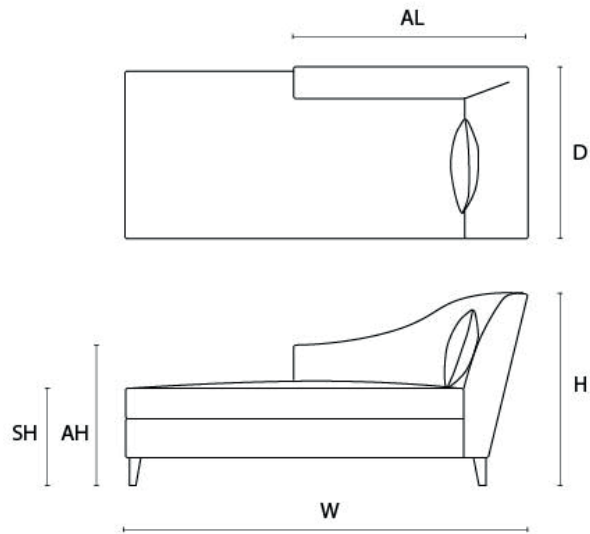
FABRIC QUANTITY

Plain 6m
Velvet & Pattern 7.5m
Leather 9.9sqm

Custom sizes + finishes are available on request..

PRODUCT CODE

CHAISE-BATH-A-RH



DIMENSIONS

Size C

Width (W) 178cm
Depth (D) 75cm
Height (H) 85cm
Seat Height (SH) 43cm

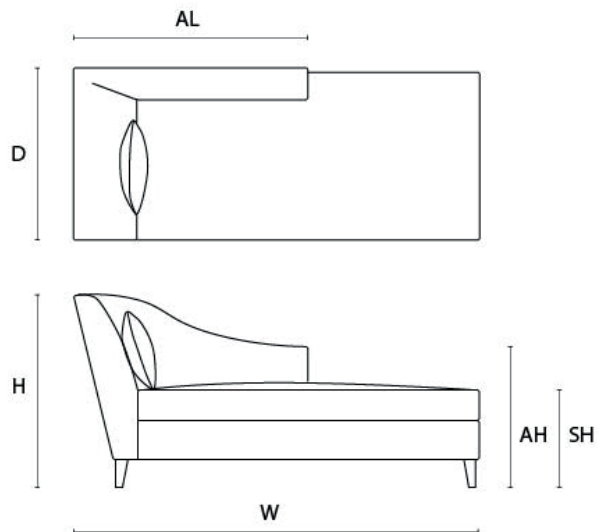
FABRIC QUANTITY

Plain 6.5m
Velvet & Pattern 8.1m
Leather 10.7sqm

Custom sizes + finishes are available on request.

PRODUCT CODE

CHAISE-BATH-B-LH



ATELIERS LONDON

Bespoke manufacturers of luxury upholstery & cabinetry – Made in London

atelierslondon.com / +44 (0) 208 159 3750 / info@atelierslondon.com

DIMENSIONS

Size D

Width (W) 178cm

Depth (D) 75cm

Height (H) 85cm

Seat Height (SH) 43cm

FABRIC QUANTITY

Plain 6.5m

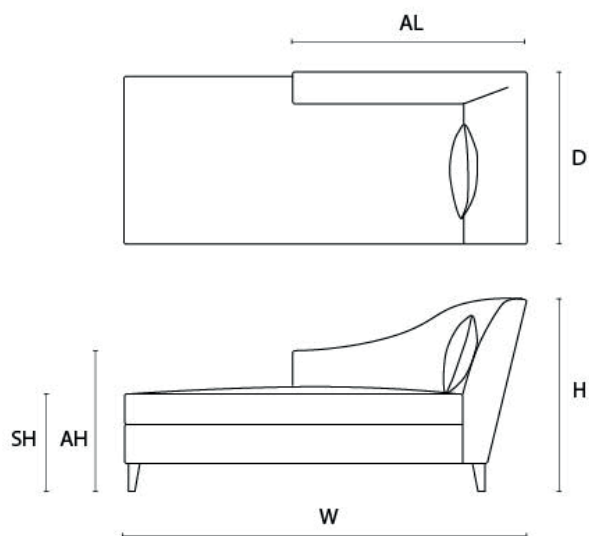
Velvet & Pattern 8.1m

Leather 10.7sqm

Custom sizes + finishes are available on request.

PRODUCT CODE

CHAISE-BATH-B-LH



ATELIERS LONDON

Bespoke manufacturers of luxury upholstery & cabinetry – Made in London

atelierslondon.com / +44 (0) 208 159 3750 / info@atelierslondon.com