

AVA

Sleek and sophisticated with delicate pulled button details to its inner backrest and sides, with a loose seat cushion. The crisp Ava has clean lines, with a luxurious upholstered body in plush blue toned silk velvet with delicate self-piping, sitting elegantly on a beech ebony ATW01 plinth with low tapered legs. Creating the perfect seating for any classic interior.

The Ava pulled button is also available as an armchair and in a wide range of modules providing you with a great scope for personalisation of seating.

If you require a dimensional modification please speak to a member of our sales team.

DIMENSIONS

Size A

Width (W) 140cm

Depth (D) 90cm

Height (H) 78cm

Seat Height (SH) 45cm

Arm Height (AH) 78cm

FABRIC QUANTITY

Plain 8m

Velvet & Pattern 10m

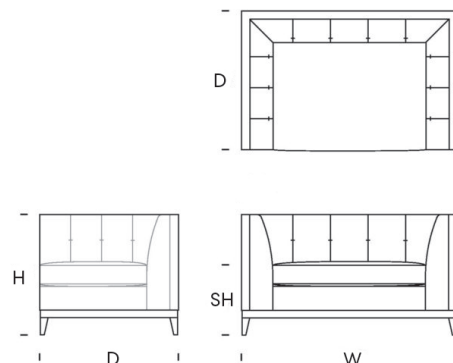
Leather 13.2sqm

Custom sizes + finishes are available on request.

PRODUCT CODE

SOFA-AVA-1.5-PB

© 2022 Ateliers London



ATELIERS LONDON

Bespoke manufacturers of luxury upholstery & cabinetry – Made in London

atelierslondon.com / +44 (0) 208 159 3750 / info@atelierslondon.com

DIMENSIONS

Size B

Width (W) 175cm
Depth (D) 90cm
Height (H) 78cm
Seat Height (SH) 45cm
Arm Height (AH) 78cm

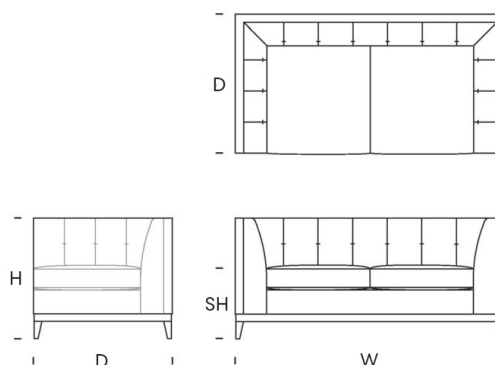
FABRIC QUANTITY

Plain 12m
Velvet & Pattern 15m
Leather 19.8sqm

Custom sizes + finishes are available on request.

PRODUCT CODE

SOFA-AVA-2.0-PB



DIMENSIONS

Size C

Width (W) 195cm
Depth (D) 90cm
Height (H) 78cm
Seat Height (SH) 45cm
Arm Height (AH) 78cm

FABRIC QUANTITY

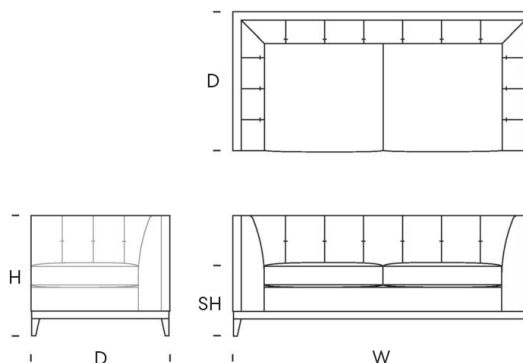
Plain 13m
Velvet & Pattern 16.25m
Leather 21.45sqm

Custom sizes + finishes are available on request.

PRODUCT CODE

SOFA-AVA-2.5-PB

Guide price from **£1,421**



ATELIERS LONDON

Bespoke manufacturers of luxury upholstery & cabinetry – Made in London

atelierslondon.com / +44 (0) 208 159 3750 / info@atelierslondon.com

DIMENSIONS

Size D

Width (W) 210cm

Depth (D) 90cm

Height (H) 78cm

Seat Height (SH) 45cm

Arm Height (AH) 78cm

FABRIC QUANTITY

Plain 14m

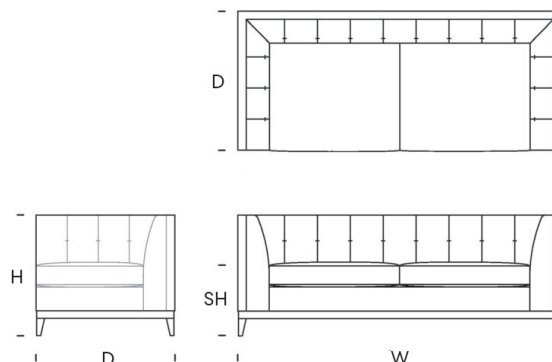
Velvet & Pattern 17.5m

Leather 23.1sqm

Custom sizes + finishes are available on request.

PRODUCT CODE

SOFA-AVA-3.0-PB



DIMENSIONS

Size E

Width (W) 235cm

Depth (D) 90cm

Height (H) 78cm

Seat Height (SH) 45cm

Arm Height (AH) 78cm

FABRIC QUANTITY

Plain 15m

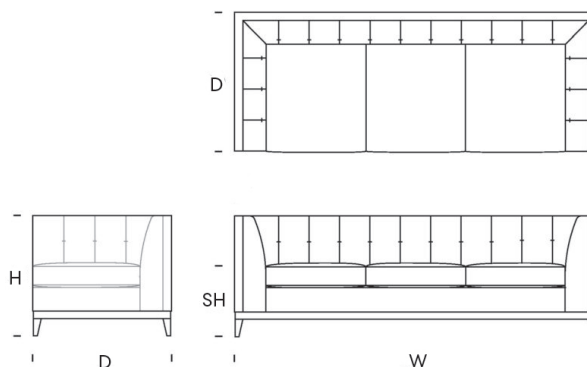
Velvet & Pattern 18.75m

Leather 24.75sqm

Custom sizes + finishes are available on request.

PRODUCT CODE

SOFA-AVA-3.5-PB



ATELIERS LONDON

Bespoke manufactures of luxury upholstery & cabinetry – Made in London

atelierslondon.com / +44 (0) 208 159 3750 / info@atelierslondon.com

DIMENSIONS

Size F

Width (W) 82cm
Depth (D) 90cm
Height (H) 78cm
Seat Height (SH) 45cm

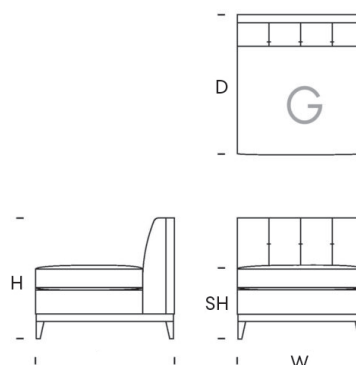
FABRIC QUANTITY

Plain 5m
Velvet & Pattern 6.3m
Leather 8.3sqm

Custom sizes + finishes are available on request.

PRODUCT CODE

MID-MOD-AVA-1.0-PB



DIMENSIONS

Size G

Width (W) 164cm
Depth (D) 90cm
Height (H) 78cm
Seat Height (SH) 45cm

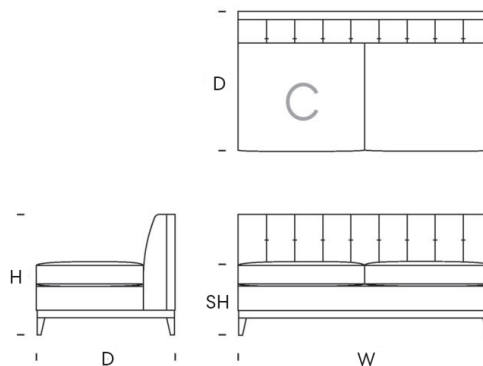
FABRIC QUANTITY

Plain 10m
Velvet & Pattern 12.5m
Leather 16.5sqm

Custom sizes + finishes are available on request.

PRODUCT CODE

MID-MOD-AVA-2.0-PB



ATELIERS LONDON

Bespoke manufacturers of luxury upholstery & cabinetry – Made in London

atelierslondon.com / +44 (0) 208 159 3750 / info@atelierslondon.com

DIMENSIONS

Size H

Width (W) 185cm

Depth (D) 90cm

Height (H) 78cm

Seat Height (SH) 45cm

Arm Height (AH) 78cm

FABRIC QUANTITY

Plain 11m

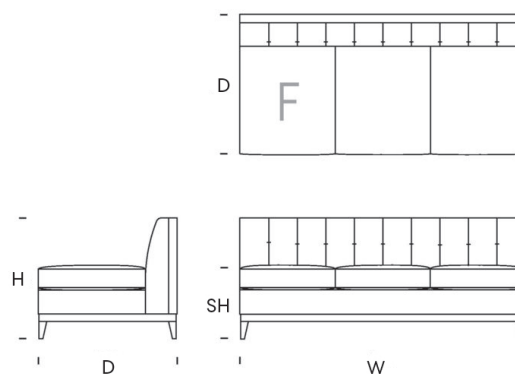
Velvet & Pattern 13.8m

Leather 18.2sqm

Custom sizes + finishes are available on request.

PRODUCT CODE

MID-MOD-AVA-3.0-PB



DIMENSIONS

Size I

Width (W) 90cm

Depth (D) 90cm

Height (H) 78cm

Seat Height (SH) 45cm

Arm Height (AH) 78cm

FABRIC QUANTITY

Plain 5.5m

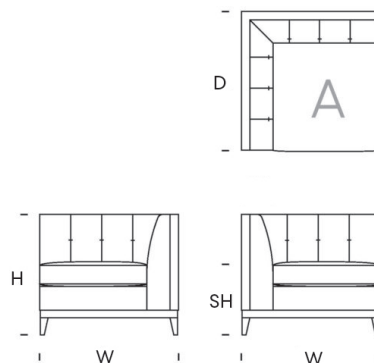
Velvet & Pattern 6.8m

Leather 9.1sqm

Custom sizes + finishes are available on request.

PRODUCT CODE

COR-MOD-AVA-1.0-LH-PB



ATELIERS LONDON

Bespoke manufacturers of luxury upholstery & cabinetry – Made in London

atelierslondon.com / +44 (0) 208 159 3750 / info@atelierslondon.com

DIMENSIONS

Size J

Width (W) 90cm
Depth (D) 90cm
Height (H) 78cm
Seat Height (SH) 45cm
Arm Height (AH) 78cm

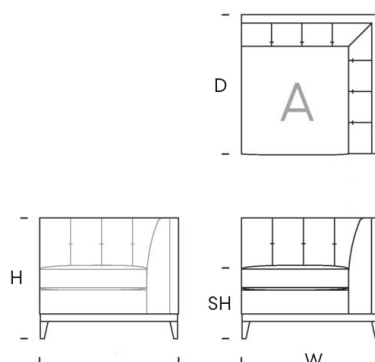
FABRIC QUANTITY

Plain 5.5m
Velvet & Pattern 6.8m
Leather 9.1sqm

Custom sizes + finishes are available on request.

PRODUCT CODE

MID-MOD-AVA-1.0-RH-PB



DIMENSIONS

Size K

Width (W) 185cm
Depth (D) 90cm
Height (H) 78cm
Seat Height (SH) 45cm
Arm Height (AH) 78cm

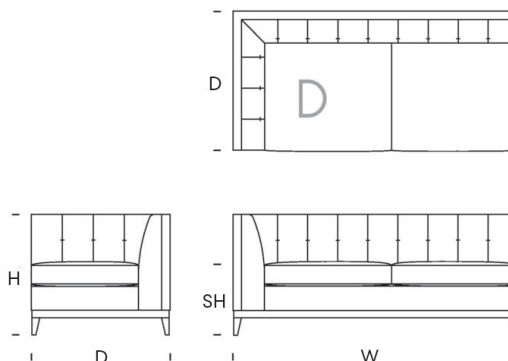
FABRIC QUANTITY

Plain 10.5m
Velvet & Pattern 13.2m
Leather 17.4sqm

Custom sizing and finishing available on request.

PRODUCT CODE

COR-MOD-AVA-2.0-LH-PB



ATELIERS LONDON

Bespoke manufacturers of luxury upholstery & cabinetry – Made in London

atelierslondon.com / +44 (0) 208 159 3750 / info@atelierslondon.com

DIMENSIONS

Size L

Width (W) 185cm
Depth (D) 90cm
Height (H) 78cm
Seat Height (SH) 45cm
Arm Height (AH) 78cm

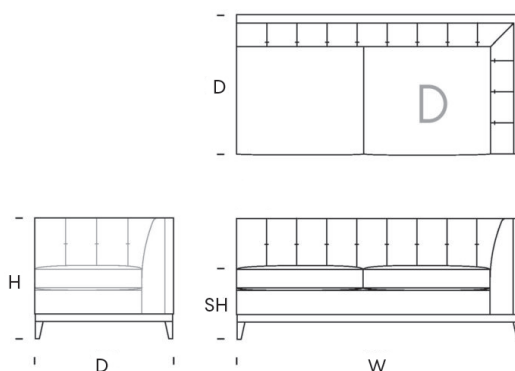
FABRIC QUANTITY

Plain 10.5m
Velvet & Pattern 13.2m
Leather 17.4sqm

Custom sizes + finishes are available on request.

PRODUCT CODE

MID-MOD-AVA-2.0-RH-PB



DIMENSIONS

Size M

Width (W) 205cm
Depth (D) 90cm
Height (H) 78cm
Seat Height (SH) 45cm
Arm Height (AH) 78cm

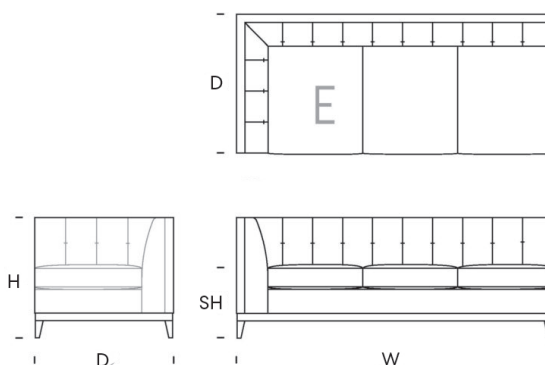
FABRIC QUANTITY

Plain 13.5m
Velvet & Pattern 16.9m
Leather 22.3sqm

Custom sizes + finishes are available on request.

PRODUCT CODE

COR-MOD-AVA-3.0-LH-PB



ATELIERS LONDON

Bespoke manufacturers of luxury upholstery & cabinetry – Made in London

atelierslondon.com / +44 (0) 208 159 3750 / info@atelierslondon.com

DIMENSIONS

Size N

Width (W) 205cm
Depth (HD) 90cm
Height (H) 78cm
Seat Height (SH) 45cm
Arm Height (AH) 78cm

FABRIC QUANTITY

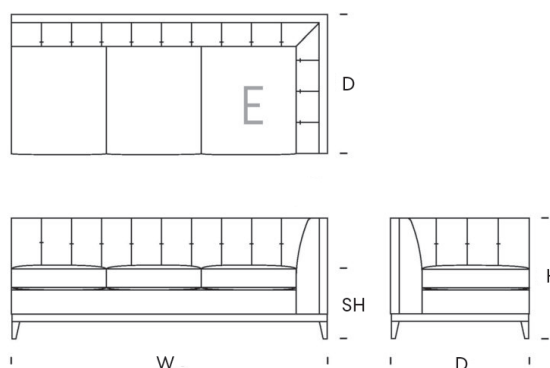
Plain 13.5m
Velvet & Pattern 16.9m
Leather 22.3sqm

Custom sizes + finishes are available on request.

PRODUCT CODE

COR-MOD-AVA-3.0-RH-PB

Guide price from **£1,566**



DIMENSIONS

Size O

Width (W) 85cm
Depth (D) 180cm
Height (H) 78cm
Seat Height (SH) 45cm
Arm Height (AH) 78cm

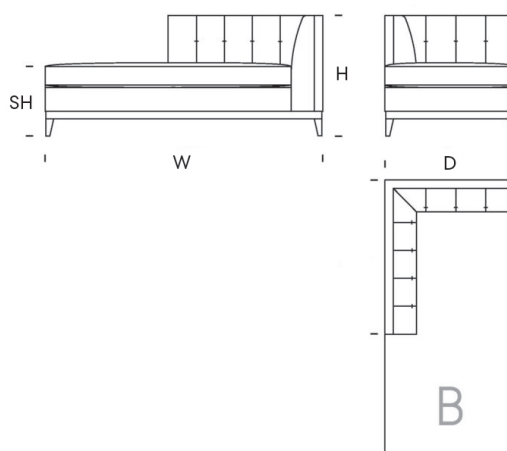
FABRIC QUANTITY

Plain 10m
Velvet & Pattern 12.5m
Leather 16.5sqm

Custom sizes + finishes are available on request.

PRODUCT CODE

CHAISE-MOD-AVA-LH-PB



ATELIERS LONDON

Bespoke manufacturers of luxury upholstery & cabinetry – Made in London

atelierslondon.com / +44 (0) 208 159 3750 / info@atelierslondon.com

DIMENSIONS

Size P

Width (W) 85cm

Depth (D) 180cm

Height (H) 78cm

Seat Height (SH) 45cm

Arm Height (AH) 78cm

FABRIC QUANTITY

Plain 10m

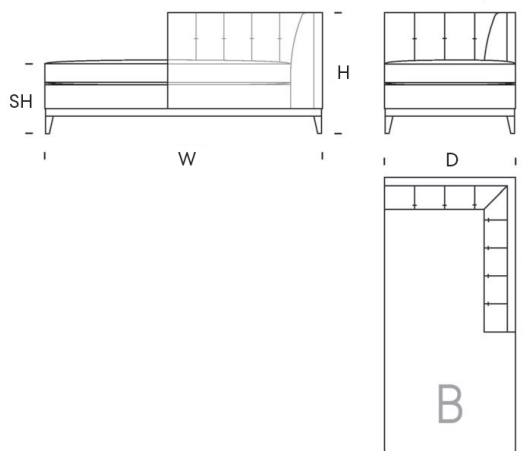
Velvet & Pattern 12.5m

Leather 16.5sqm

Custom sizes + finishes are available on request.

PRODUCT CODE

CHAISE-MOD-AVA-RH-PB



ATELIERS LONDON

Bespoke manufacturers of luxury upholstery & cabinetry – Made in London

atelierslondon.com / +44 (0) 208 159 3750 / info@atelierslondon.com