

ABBEY

A contemporary and modern sofa, featuring a rectangular boxlike form. The Abbey's sumptuous seat exudes ultra comfort. Upholstered in a soft crushed velvet, with self-piped detail, contouring its bold and chunky form. Floating atop polished chrome legs.

The Abbey is available in various sizes. If you require a dimensional modification please speak to a member of our sales team.

DIMENSIONS

Size A

Width (W) 190cm

Depth (D) 90cm

Height (H) 78cm

Seat Height (SH) 57cm

FABRIC QUANTITY

Plain 11m

Velvet & Pattern 13.75m

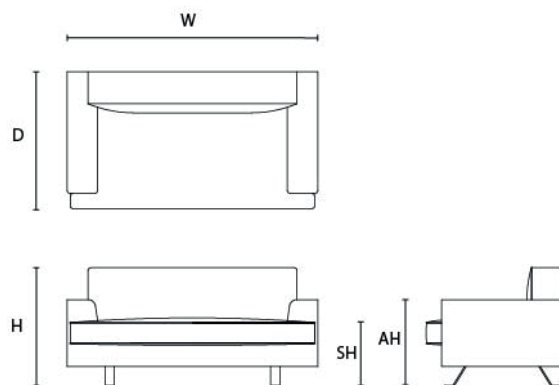
Leather 18.15sqm

Custom sizes + finishes are available on request.

PRODUCT CODE

SOFA-ABBE-2.0

© 2022 Ateliers London



ATELIERS LONDON

Bespoke manufacturers of luxury upholstery & cabinetry – Made in London

atelierslondon.com / +44 (0) 208 159 3750 / info@atelierslondon.com

DIMENSIONS

Size B

Width (W) 210cm
Depth (D) 90cm
Height (H) 78cm
Seat Height (SH) 42cm
Arm Height (AH) 57cm

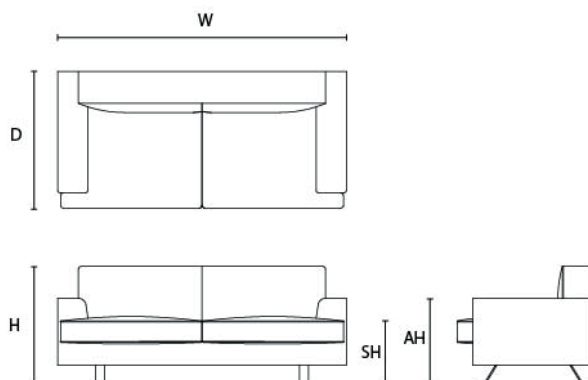
FABRIC QUANTITY

Plain 12m
Velvet & Pattern 15m
Leather 19.8sqm

Custom sizes + finishes are available on request.

PRODUCT CODE

SOFA-ABBE-2.5



DIMENSIONS

Size C

Width (W) 230cm
Depth (D) 90cm
Height (H) 78cm
Seat Height (SH) 42cm
Arm Height (AH) 57cm

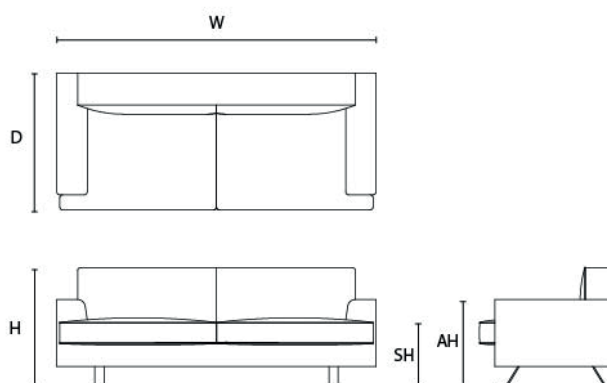
FABRIC QUANTITY

Plain 13m
Velvet & Pattern 16.25m
Leather 21.45sqm

Custom sizes + finishes are available on request.

PRODUCT CODE

SOFA-ABBE-3.0



ATELIERS LONDON

Bespoke manufacturers of luxury upholstery & cabinetry – Made in London

atelierslondon.com / +44 (0) 208 159 3750 / info@atelierslondon.com

DIMENSIONS

Size D

Width (W) 250cm

Depth (D) 90cm

Height (H) 78cm

Seat Height (SH) 42cm

Arm Height (AH) 57cm

FABRIC QUANTITY

Plain 14m

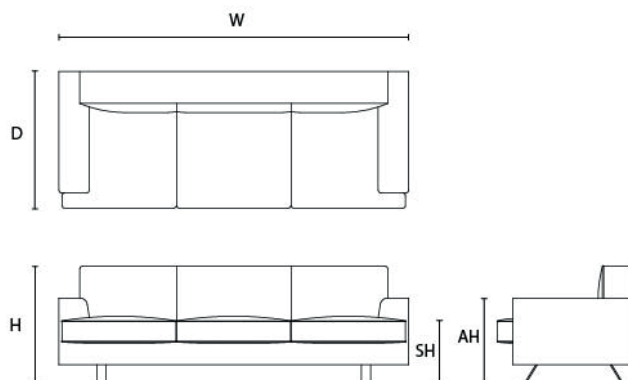
Velvet & Pattern 17.5m

Leather 23.1sqm

Custom sizes + finishes are available on request.

PRODUCT CODE

SOFA-ABBE-3.5



ATELIERS LONDON

Bespoke manufacturers of luxury upholstery & cabinetry – Made in London

atelierslondon.com / +44 (0) 208 159 3750 / info@atelierslondon.com